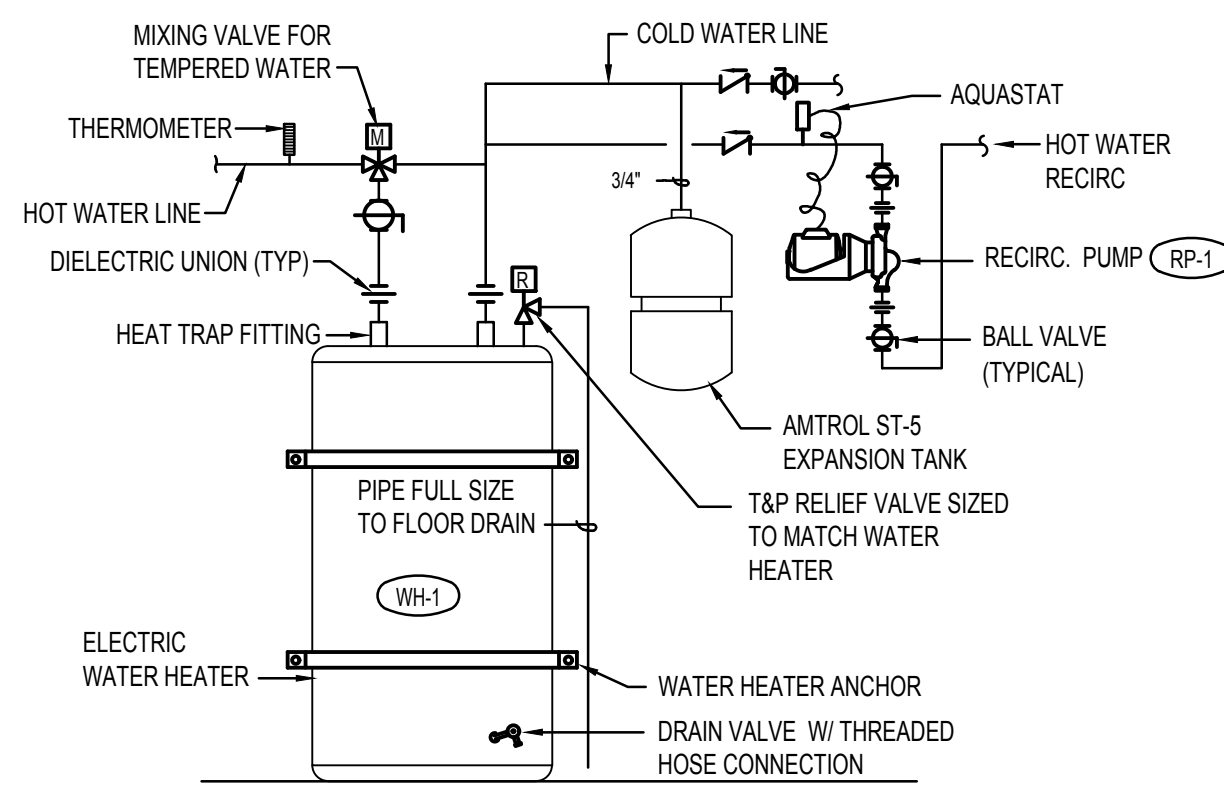
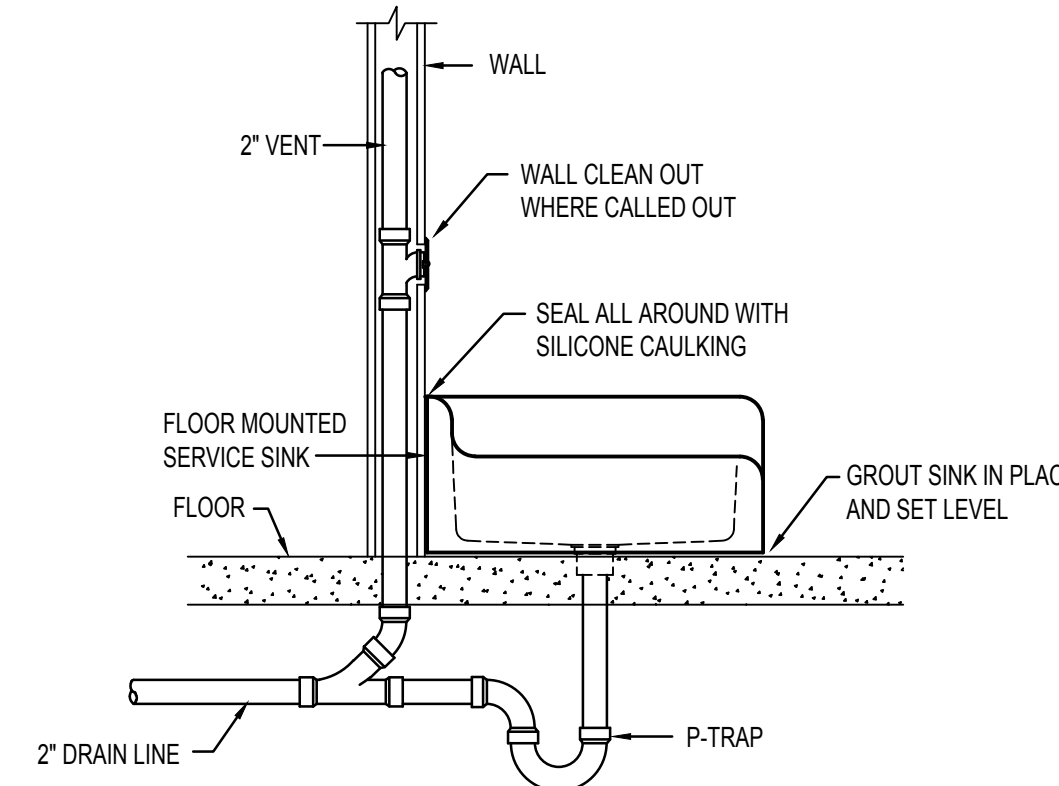


WATER PRESSURE REDUCING STATION DETAIL
NO SCALE

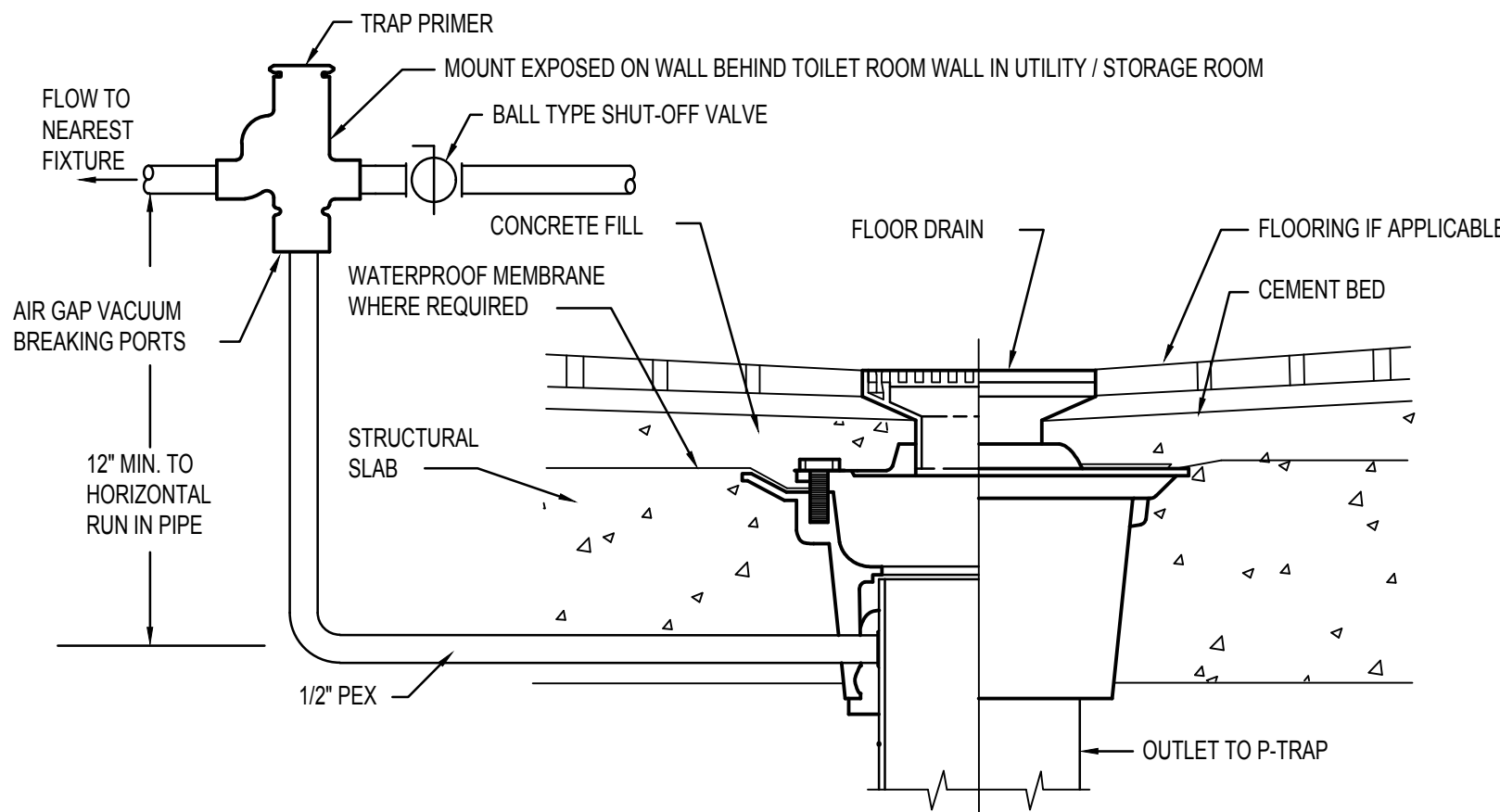


WATER HEATER PIPING DETAIL
NO SCALE

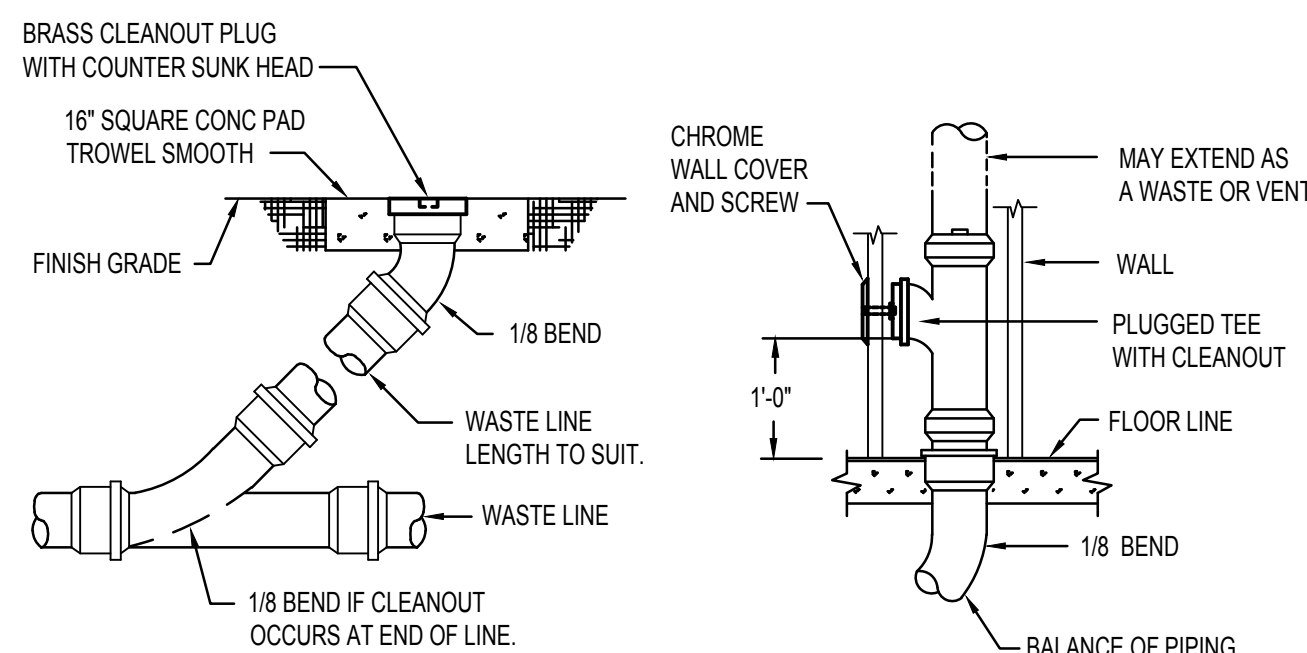


SERVICE SINK INSTALLATION DETAIL
NO SCALE

FIXTURE SCHEDULE					
SYM.	DESCRIPTION	HOT	COLD	WASTE	VENT
DF-1	S.S. BI-LEVEL DRINKING FOUNTAIN - ELKAY MODEL EHW217C BI-LEVEL STAINLESS STEEL DRINKING FOUNTAIN WITH SIDE CONTROLS & S.S. WALL MOUNTING PLATE. MOUNT AT ADA HEIGHT.	1/2"	1/2"	2"	2"
FD-1	2" FLOOR DRAIN - ZURN Z-415 WITH 5" DIA NICKEL-BRONZE STRAINER AND 2" DEEP SEAL P-TRAP AND ZURN 1022 TRAP PRIMER ASSEMBLY MOUNTED ON WALL EXPOSED IN UTILITY ROOM / STORAGE ROOM.	---	---	2"	2"
FS-1	FLOOR SINK - ZURN Z-1900-KC WITH WHITE ENAMEL FINISH, DOME STRAINER AND 4" DEEP SEAL P-TRAP. PROVIDE HALF GRATE OVER SINK.	---	---	4"	2"
HB-1	INTERIOR HOSE BIBB - PRIER MODEL C-255NP-50 ANTI-SIPHON ANGLED SILL FAUCET WITH VACUUM BREAKER, REMOVABLE KEY HANDLE AND THREADED HOSE CONNECTION.	1/2"	---	---	---
IM-1	COKE AND ICE MAKER - TO BE FURNISHED BY OWNER (K.E.C. 4) PLUMBER TO PROVIDE 1/2" COLD WATER LINE WITH BACKFLOW PREVENTOR TO MACHINE WITH SHUT-OFF VALVE AND 3/8" ADAPTER. RUN 3/4" DRAIN UNDER COUNTER TO FLOOR SINK WITH DOWNTURNED 90 DEGREE ELBOW & AIR GAP.	---	1/2"	3/4"	---
IM-2	ICE MACHINE - TO BE FURNISHED BY OWNER (K.E.C. 6) PLUMBER TO PROVIDE 1/2" COLD WATER LINE WITH BACKFLOW PREVENTOR TO MACHINE WITH SHUT-OFF VALVE AND 3/8" ADAPTER. RUN 3/4" DRAIN UNDER COUNTER TO FLOOR SINK WITH DOWNTURNED 90 DEGREE ELBOW & AIR GAP.	---	1/2"	3/4"	---
JS-1	FLOOR MOUNTED SERVICE SINK - KOHLER K-6710 "WHITBY" W/ K-8940 WIRE RIM GUARD, K-9328 FAUCET ASSEMBLY & K-9142 STRAINER & DEEP SEAL P-TRAP. HOSE & HOSE CLAMP.	1/2"	1/2"	2"	2"
L-1	ADA WALL MOUNTED LAVATORY - KOHLER 2023 "GREENWICH" (SIZE 20"x18") WITH K-7715 OPEN GRID STRAINER, MOEN L4601 LEVER HANDLE FAUCET. 1/2" STOPS AND 1-1/2" P-TRAP. PROVIDE INSULATING JACKET ON WATER AND WASTE PIPE. PROVIDE CONCEALED ARM CARRIER SYSTEM.	1/2"	1/2"	1-1/2"	1-1/2"
RP-1	CIRCULATING PUMP - GRUNDFOS MODEL UP15-10B7 BRONZE PUMP WITH 3/4" FLANGES (2 GPM @ 5' OF HEAD) 120/60/1	3/4"	---	---	---
S-1	SINGLE SINK WITH GOOSENECK FAUCET - ELKAY MODEL LR-2219 WITH 18 GA TYPE 304 STAINLESS STEEL CONSTRUCTION. 3-HOLE FAUCET DRILLINGS, LK-4100 LEVER HANDLE FAUCET, LK-99 STRAINER, 1-1/2" P-TRAP AND 1/2" BALL TYPE STOP VALVES.	1/2"	1/2"	1-1/2"	1-1/2"
U-1	ADA WALL MOUNTED URINAL - KOHLER K-4989-T "FRESHMAN" WITH WALL CARRIER & SLOAN REGAL FLUSH VALVE. MOUNT AT ADA LEVEL.	---	3/4"	2"	2"
U-2	WALL MOUNTED URINAL - KOHLER K-4989-T "FRESHMAN" W/ WALL CARRIER & SLOAN REGAL FLUSH VALVE.	---	3/4"	2"	2"
WC-1	ADA FLUSH VALVE WATER CLOSET - KOHLER K-4368 "HIGHCLIFF" WITH ELONGATED BOWL, K-4670C WHITE OPEN FRONT SEAT, SLOAN REGAL FLUSH VALVE AND CHINA BOLT CAPS.	---	1"	4"	2"
WC-2	FLUSH VALVE WATER CLOSET - KOHLER K-4350 "WELCOME" WITH ELONGATED BOWL, K-4670C WHITE OPEN FRONT SEAT, SLOAN REGAL FLUSH VALVE AND CHINA BOLT CAPS.	---	1"	4"	2"
WH-1	ELECTRIC WATER HEATER - A.O. SMITH MODEL ECRT-40 40 GALLON ELECTRIC WATER HEATER WITH 4500 WATT UPPER & LOWER ELEMENTS (2018/60/1), AMTROL ST-5 EXPANSION TANK, T&P VALVE. PROVIDE POWERS 3/4" LM-491-10 MIXING VALVE. SEE DETAIL ON THIS SHEET.	3/4"	3/4"	---	---

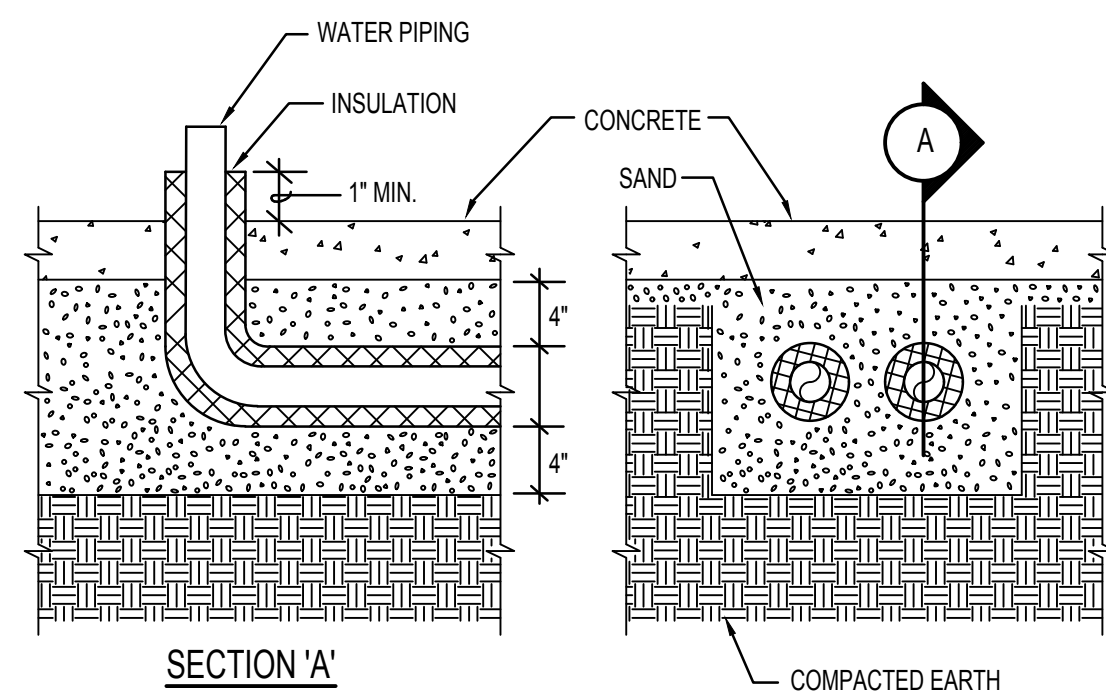


TRAP PRIMER DETAIL
NO SCALE



CLEANOUT TO GRADE (COTG) **WALL CLEANOUT (WCO)**

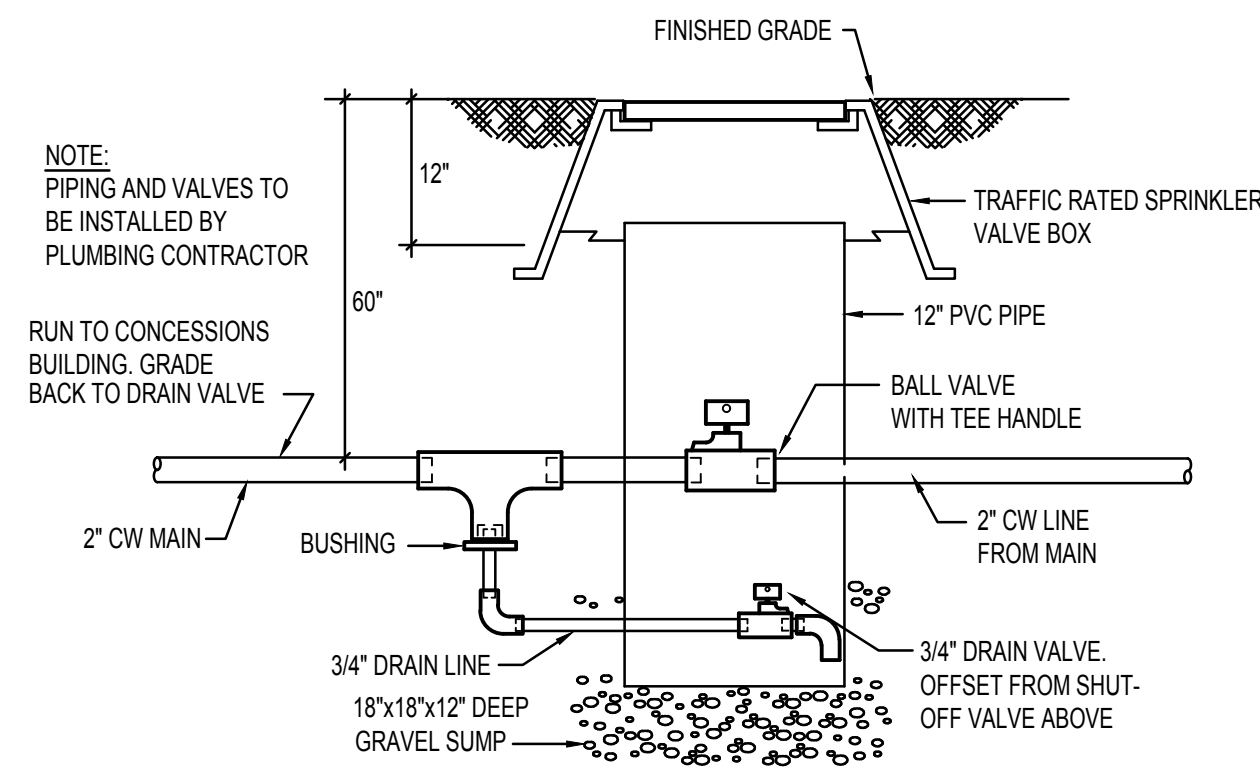
CLEAN OUT DETAILS
NO SCALE



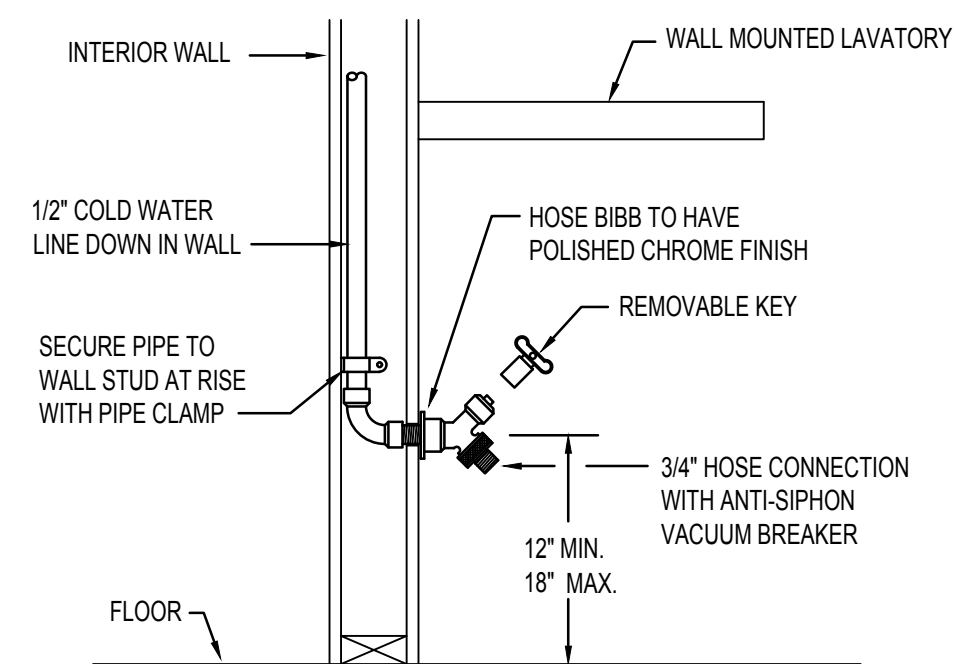
NOTES:

- ALL WATER PIPING INSTALLED UNDERFLOOR SHALL BE TYPE "K" COPPER
- WATER PIPE INSULATION ON UNDERFLOOR PIPING SHALL BE ARMAFLEX 3/4" THICK RUBBER PIPE INSULATION. TAPE INSULATION AT ALL SEAMS.
- MINIMUM PIPE SIZE UNDERFLOOR SHALL BE 3/4"
- SAND FILL AROUND PIPING SHALL BE A MINIMUM OF 4" THICK. MATERIAL SHALL BE HAND TAMPED, RODDED OR LIGHTLY COMPACTED DURING INSTALLATION. CARE SHOULD BE TAKEN NOT TO DEFORM OR OTHERWISE DAMAGE PIPING OR INSULATION.

UNDER SLAB PIPE INSTALLATION DETAIL
NO SCALE



STOP & WASTE VALVE DETAIL
NO SCALE



INTERIOR HOSE BIBB DETAIL
NO SCALE

Professional Engineer
LICENSED
Tanner C. Davis
STATE OF IDAHO
LAWNER C. DAVIS
Sep 16, 2022

Engineered Systems Associates
1355 EAST CENTER
POCATELLO, IDAHO 83201
PHONE: (208) 233-0501
EMAIL: eso@engsystems.com
ESA JOB NUMBER: 221.37

REVISION:

#	DATE	COMMENT

DRAWN BY: TP JOB NO: -

CHECKED BY: DCS DATE: 09/16/2022

PLOT DATE: 09-16-22